

ACCOSATO

REMOTE CONTROL

Accossato remote control are conceived to enable the pilot to adjust the lever while racing without having to go back to the pit.

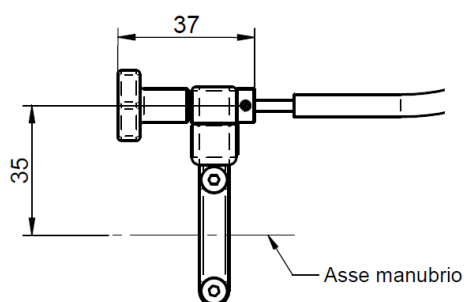
With this remote control you can adjust the lever using the left hand instead of the right one, without having to release the throttle control.

Maximum dimensions of the group registry of the remote control

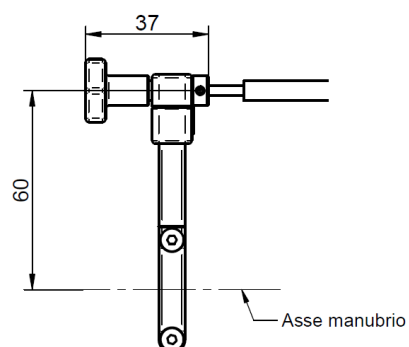
In the group registry of the remote control there are two measures available: "short" and "long".

Please find the maximum dimensions in the images below.

Version of the short group registry



Version of the long group registry



Mounting of the remote controller at 90° on an Accossato Brake Master Cylinder



Place the master in order to easily pull out the elastic plug of 1,5 mm diameter (1) with a specific stamp.

CAUTION: lay the adjusting knob in a stable and sound bench, do not bend the threaded stud during the extraction of the plug.

After removing the elastic plug, pull out the adjusting knob (5) from the threaded stud.

Continue removing the safety clip (2) and the stud (3) from the master.

Rotate the threaded stud (6) clockwise (Help yourself with a screwdriver as you can see from the picture) until you pull out the lever.

Pull out the stud (4) and insert it (7) again on the lever

Insert the lever on the master cylinder and rotate the stud (6) anti-clockwise (use a screwdriver) until you get a correct positioning of the lever.



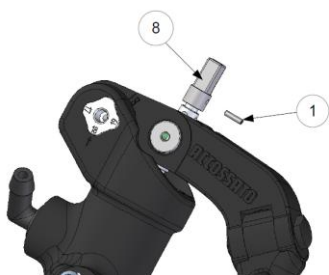
ACCOSATO



Now insert the stud (3) again on the master cylinder and the safety clip (2). Insert the adjusting knob (8) on the threaded stud and insert the elastic plug diameter 1,5 mm.

CAUTION: lay the adjusting knob in a stable and sound bench, do not bend the threaded stud during the extraction of the plug.

Mount the mote control on the lever and tighten the stud (7) and the two screws M3 (9) included e due viti M3. Mount the registry group remote control on the handlebar on the left.



Verify the correct functioning of the remote control of the lever and the brake master cylinder.

Mounting of the straight remote control on Accossato Brake Master Cylinder

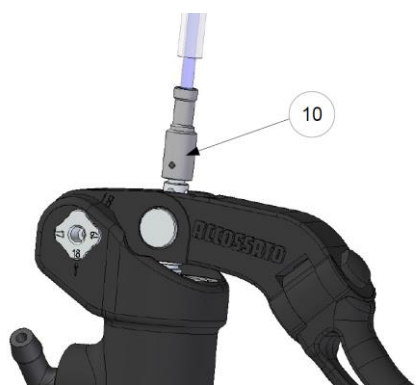


Place the master in order to easily pull out the elastic plug of 1,5 mm diameter (1) with a specific stamp.

CAUTION: lay the adjusting knob in a stable and sound bench, do not bend the threaded stud during the extraction of the plug.

After removing the elastic plug, pull out the adjusting knob (5) from the threaded stud. Mount the adjusting knob (10) on the threaded stud and insert the elastic plug diameter 1,5 mm.

CAUTION: lay the adjusting knob in a stable and sound bench, do not bend the threaded stud during the extraction of the plug.



Mount the registry group remote control on the handlebar on the left side. Check the correct functioning of the remote control of the lever and the brake master cylinder